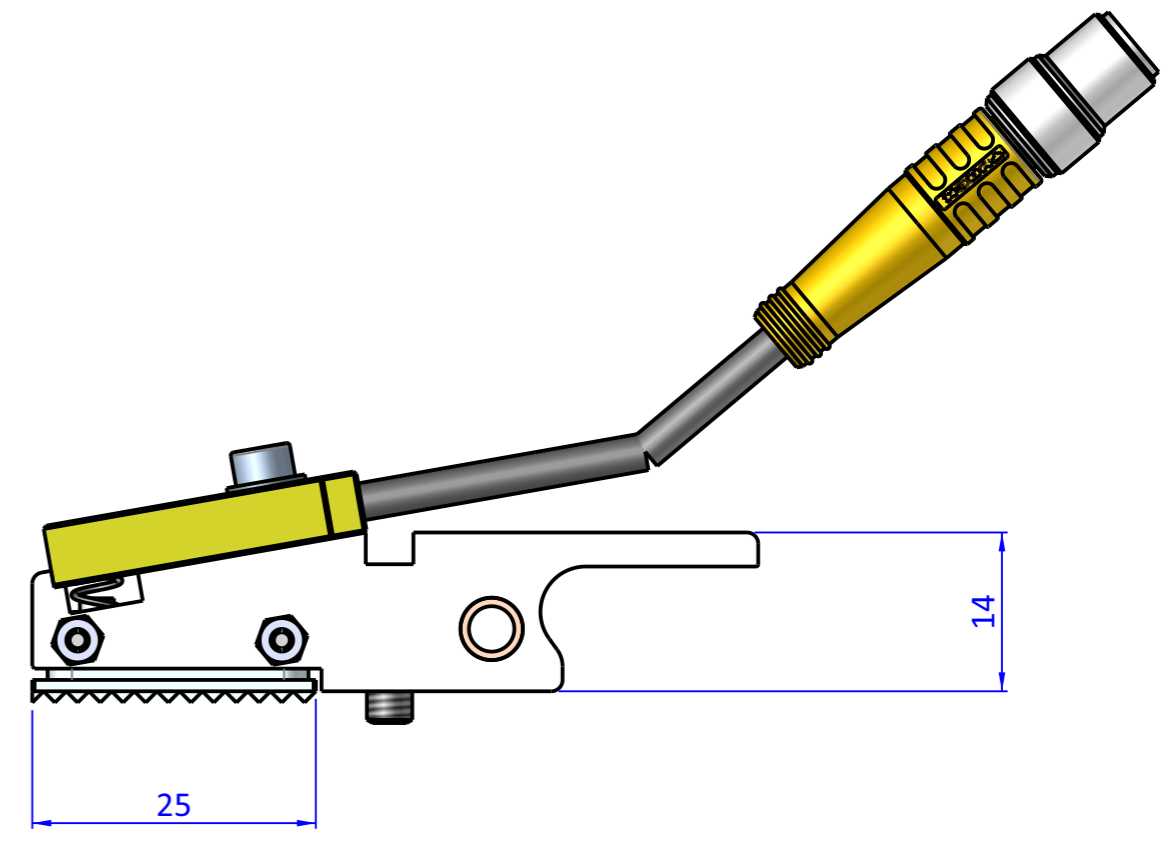
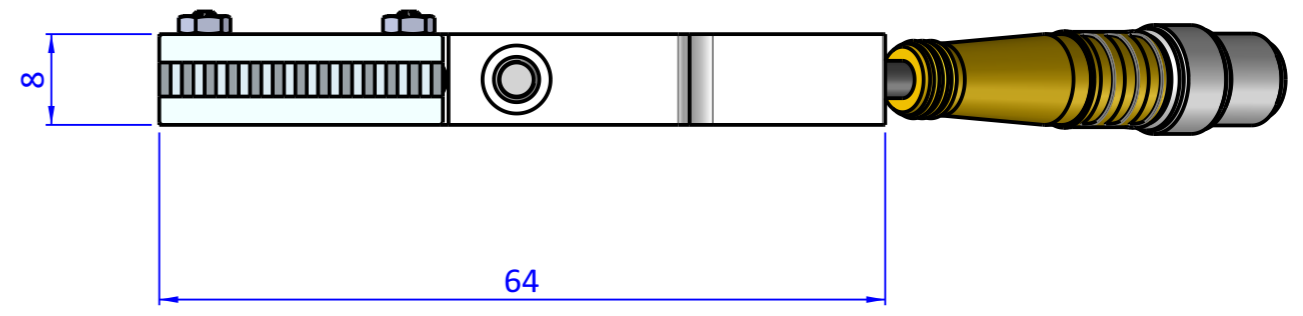
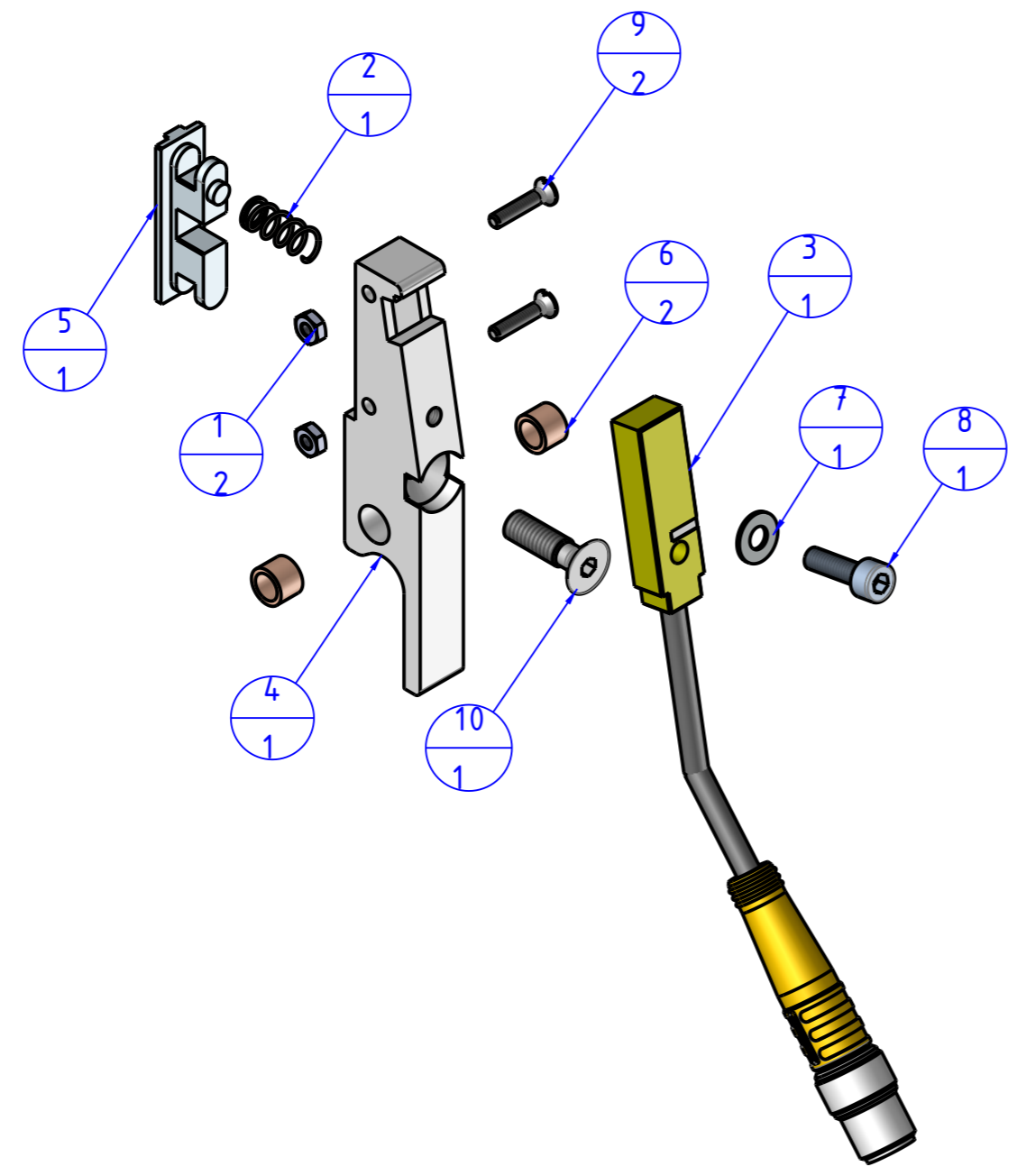



THE PROPERTY OF THE DRAWING IS ESTABLISHED BY LAW. IT IS FORBIDDEN TO PRODUCE OR SHOW IT TO THIRD PART. WITHOUT A WRITTEN AGREEMENT.

Item	Name	Q.ty
1	D.2	2
2	DIM.11010	1
3	GRZ.20.SC.PNP	1
4	GTS.1003.15	1
5	GTS.1003.15.1	1
6	PAP.0405504	2
7	R.3	1
8	V.TCE3x10	1
9	V.TSP2X10	2
10	V.TSP4x14	1



Format A3
UNI 936-76

 FPS SERVICES AUTOMATION		DESIGNED FROM		REVIEW
		FPS Automation		A
GENERAL TOLERANCE		DATE	WEIGHT	
UNI - ISO 2768		05/05/2023	0,016kg	
CLASSE f		CODE	GTS.03.15	
		DESCRIPTION		
		GTS.03.15		